

L'avancée technologique...

TUNGSTEN PROFILES **SX** RANGE

MORE LIGHT.

MORE PRECISION.

SUPERIOR SHUTTER GATE DESIGN.



1000/1200W. GX 9.5
600 SX RANGE

611 SX 11/26°
614 SX 16/35°
613 SX 28/54°

2000W. GY 16
700 SX RANGE
2000/2500W. G22
700 SX2 RANGE

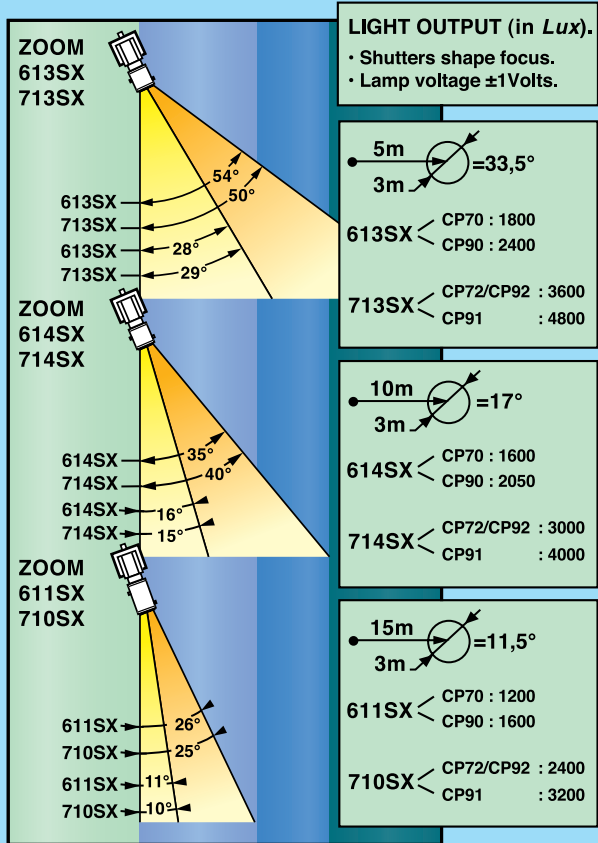
710 SX 10/25°
714 SX 15/40°
713 SX 29/50°

La lumière, l'art de l'ombre.

robert juliat

Distributed by :

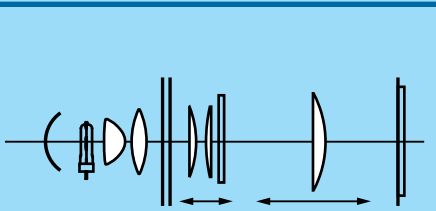
600/700 SX RANGE - The features that make the difference...



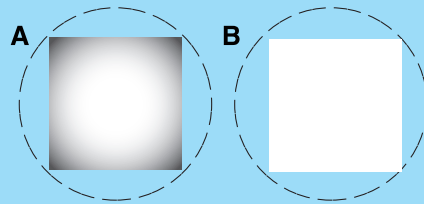
714 SX rear view.



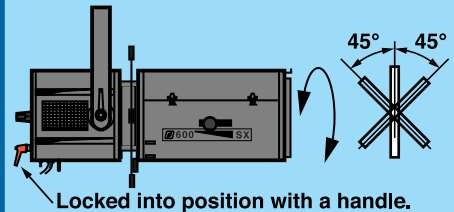
These figures are a guide for comparison between ROBERT JULIAT products. The measurements were taken from the centre of a sharp focus beam without hot spot.



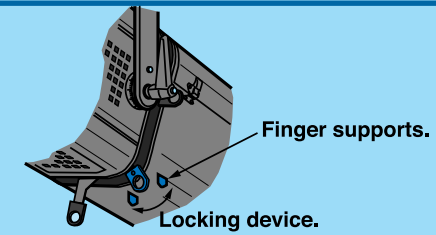
① Condenser optical system of the 614SX.



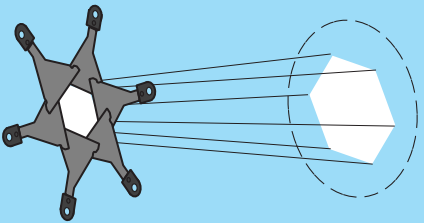
② "A" with hot spot.
② "B" with flat SX optical system.



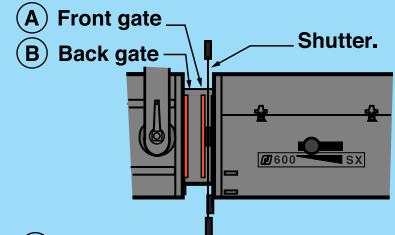
③ Rotating zoom.



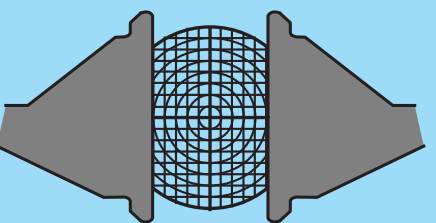
④ Fast shutter lock.



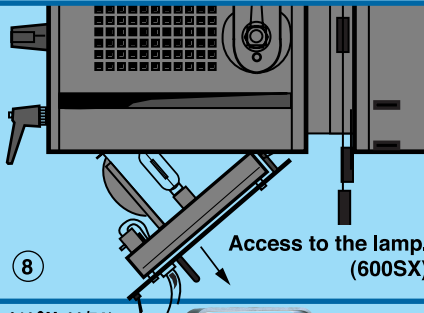
⑤ Use with more than 4 shutters.



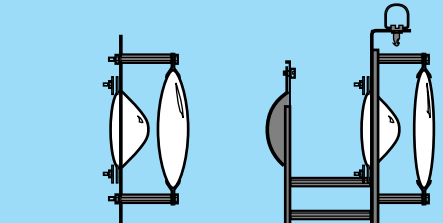
⑥ Gate.



⑦ Shutters sharp focus, gobo sharp focus.



⑧ Access to the lamp. (600SX)



⑨ Condenser: 600SX 700SX.

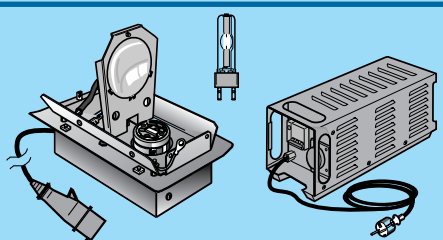


⑩



613SX 28/54°
713SX 29/50°
VERY
LARGE
BEAM
ZOOM

⑪



⑫ Discharge lamp adaptation kit.

SX RANGE - The details that make the difference...

OPTICAL SYSTEM.

ROBERT JULIAT use a double condenser optical system ①. This gives a flat powerful light across the full beam width, without the hot spot and associated tail off towards the edge of the beam ② .

- The high quality optical system uses very pure tempered lenses with photographic coating to improve light transmission and cut down on reflexion.
- These lenses are mounted in soft mica clips on stainless steel holders.

GATE.

90° rotating zoom incorporates both the shutter and gobo gates. This is locked into position by a handle on the back of the lamp housing ③. The lamp housing remains static as its rotation would cause the bulb to burn at a bad angle, shortening life.

- The new original shutter gate design has a shutter lock and finger supports which allow quick and easy locking and unlocking without moving the lamp or shutter position ④ .
- Up to 8 shutters can be used (two in each gate) allowing far greater design possibilities 5 . The shutters are made from heavy duty stainless steel, sanded and tempered to a black matt finish reducing reflection.
- The gobo gate has two slots ⑥ .
Slot "A"; is close to the shutters allowing both shutters and gobo to be sharp ⑦ .
- Slot "B"; allows focus control between the shutters and or a gobo in slot "A". A 3D effect is possible by balancing between two gobos.

The slots have a sliding pressure bar that provides enough tension to hold the gobo or iris but still allowing easy one handed operation.

All the accessories are standard across the full SX and SNX range.

LAMP HOUSING.

The lamp housing on the 600 SX is air cooled. The 700 SX range is fan cooled.

- Easy access is provided to change the lamp while maintaining high structural integrity of the unit ⑧ . Access to the 700 SX is through the top of the lamp housing.
- The condenser lens units ⑨ are easily removable for cleaning. The 600 SX cassette is attached by two butterfly nuts and the 700 SX cassette is fitted into a groove by a screw clasp.
- The optical system is factory set and requires no realignment.

Condenser optical systems rely on precise alignment of mirror, lamp and condenser lenses which are locked solid by the lamp design ensuring the same high performance between different units using the same lamp type, make matching simple.

- Heavy duty trunion arm with conical locking handle with tilt measurements ⑩ .
- 3 meter flexible power cable.

ZOOM.

The beam adjustments slides are on each side of the zoom enclosure. This enables simultaneous movement. The left side controls size while the right controls focus.

- Mounted on Teflon bearings for perfect movement and using non loosening knobs.
Internal slot between lenses for soft and dichroic glass (120 x 120mm).
- External colour holder has one handed colour clip.
- 185 x 185mm external colour holder has a one handed colour clip.
Other standards on request : 191 x 191mm - 195 x 195mm.
- Three zooms offered in both power ratings.

DESIGN.

The whole range is very compact and with the shutters able to fully close inside the body present a tough transportable unit.

- All working parts are easily accessible through the lamp housing trapdoor and zoom assembly hood providing simple servicing.
- User's instructions and spare parts list are included with all units.
- All units complies with the new European regulations. NF EN 60598-1: 1993 / NF EN 60598-2-17:1991 / A2 :1992.

AND MORE.

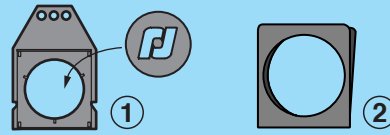
- 600 SX range is available with a G22 or P28s socket.
- Discharge lamp adaptation for stage and architectural applications. 600 SX is also available for discharge lamp with or without controlled dimming, with magnetic or electronic power supplies for MSR and MSD 575W or 700W and CDMT 150W.
The adaptation kit allows a very fast transformation from tungsten to a HSR/MSR/MSD lamp housing.
- 700 SX range is now available with a G22 socket, with external locking, allowing the use of 2 KW (CP92) or 2,5 KW (CP91) lamps: 700 SX2.
- 100/120Volts version also available.

SX RANGE -

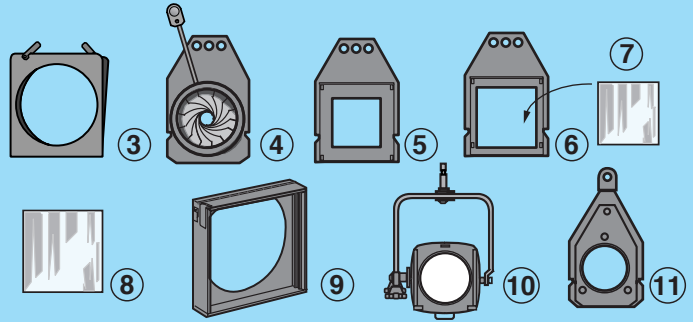
The accessories that make the difference...

- ① "A" Size metal gobo holder.
- ② Cardboard filter holder.
- ③ Metal filter frame.
- ④ Monoplan iris.
- ⑤ 75 x 75 glass gobo holder (gate).
- ⑥ 84 x 84 frosted glass holder (gate).
- ⑦ 84 x 84 frosted glass (for item 6).
- ⑧ 120 x 120 frosted glass (internal).
- ⑨ Double slot front cassette.
- ⑩ Pole operated yoke.
- ⑪ "A" size metal gobo holder (Sandwich).

INCLUDED ACCESSORIES.

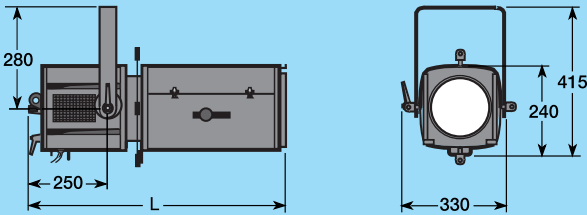


ACCESSORIES ON OPTION.



IN SIZE AND WEIGHT :

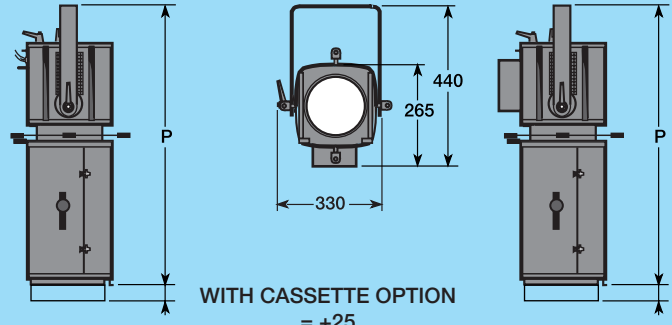
600 SX PROFILE RANGE



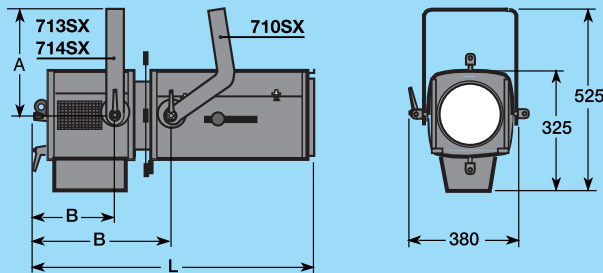
REF.	L	P				m ³
611SX	785	830	13	17	0,11	
613SX	565	610	11	14,5	0,10	
614SX	695	740	12,5	16	0,10	

400 SX Net weight = +1Kg.

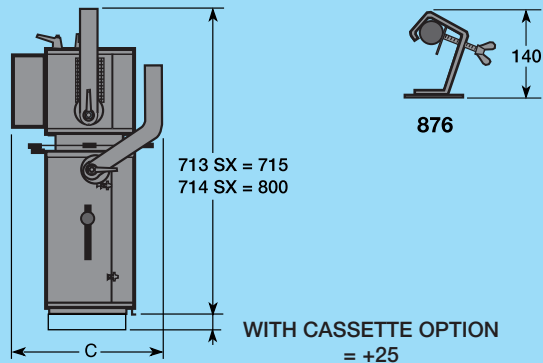
MSR/MSD 700 400 SX PROFILES.



700 SX PROFILE RANGE



REF.	L	A	B	C				m ³
710SX	925	325	410	390	23,5	27	0,16	
713SX	655	325	265	/	18,5	22	0,14	
714SX	740	325	265	/	20	23,5	0,14	



Dimensions in mm.

A FEW WORDS ABOUT LAMPS.

• The most important part of the lighting unit is the lamp and the lighting system developed around it. A bad lamp will give bad results, we advise using lamps only from well known manufacturers, such as Osram - Philips - Radium - G.E.

• Check your mains voltage and make sure the lamp to be used corresponds. Overvoltage reduces the lamp life and increases the possibility of heat damage to the unit. +10% of current = reduces 50% of lamp life.

• Admissible lamps;

600SX 1000Watts: T19 : standard lamp life 750h 3000°K : 20500 to 21000 L's.
 CP70 : standard lamp life 200h 3200°K : 25000 to 26000 L's.
 1200Watts: T29 : standard lamp life 400h 3000°K : 27600 to 30500 L's.
 CP90 : standard lamp life 200h 3200°K : 30000 to 33000 L's.

700SX 2000Watts: CP72 : standard lamp life 400h 3200°K : 50000 to 52000 L's.

700SX2 2000Watts: CP92 : standard lamp life 400h 3200°K : 50000 to 52000 L's.
 2500Watts: CP91 : standard lamp life 400h 3200°K : 65000 to 67500 L's.

• More the filament is compact, the better is the performance. Try not to use monofilament lamps or lamps of the wrong voltage. Do not use lamps with squint envelopes or those damaged in any way. A bad lamp often shows as an uneven flare on the shutters or exaggerated striations in the beam.

• For the 600 SX range, 1200W lamps are not advised for permanent use on none dimmable channels.

